

FLD-G2 Series LED Flood Light Luminaire



Jarvis FLD-G2 Series

Durable die-cast aluminium housing

Adjustable mounting arms for perfect mounting angle

Dedicated flood optics

Competitors' Products

Plastic housing can easily crack or break

Fixed arm limits mounting options

Generic optics increase glare without properly illuminating the space



FLD-G2-3L
Knuckle Mount



FLD-G2-20L
Slipfitter Mount

Most Popular Models and Specifications:

Catalog #	Description	DLC Product ID	Input	Power	Lumens	CCT	CRI	PF
FLD-G2-1L-50K-BRZ-KM-DM	Bronze Flood Light - Knuckle Mount	PDOEAREJ	120-277V 50/60Hz	15W	1,833 lm	5000K	≥ 70	≥ 0.9
FLD-G2-3L-50K-BRZ-KM-DM	Bronze Flood Light - Knuckle Mount	PV5AMPIL	120-277V 50/60Hz	30W	3,725 lm	5000K	≥70	≥0.9
FLD-G2-6L-50K-BRZ-KM-DM	Bronze Flood Light - Knuckle Mount	PPVQRAOF	120-277V 50/60Hz	50W	6,539 lm	5000K	≥70	≥0.9
FLD-G2-9L-50K-BRZ-[KM,SFM,YK]-DM	Bronze Flood Light - Knuckle/Slipfitter/Yoke Mount	P7SE6P7G	120-277V 50/60Hz	70W	9,175 lm	5000K	≥70	≥0.9
FLD-G2-11L-50K-BRZ-[SFM,YK]-DM	Bronze Flood Light - Slipfitter/Yoke Mount	PL8ZU5PY	120-277V 50/60Hz	90W	11,984 lm	5000K	≥70	≥0.9
FLD-G2-20L-50K-BRZ-[SFM,YK]-DM	Bronze Flood Light - Slipfitter/Yoke Mount	PAVJXKIK	120-277V 50/60Hz	150W	20,000 lm	5000K	≥70	≥0.9





Electrical

Input Voltage: 120-277V 50/60Hz

Power Factor: >.9 at full load

Total Harmonic Distortion: <20% full load

Operating Temperature Range: -40°C to 45° C Ambient (-40°F to 113°F)

Controls and Dimming

0-10V dimming leads are default on all 15W-90W models.

1-10V dimming leads are default on all 150W models.

All dimming wires are accessible outside the fixture body.

The FLD-G2 Series is compatible with many photosensors. Contact a Jarvis representative for more information.

Construction and Materials

Housing is constructed from die-cast 383(ADC12) alloy aluminum and features either an adjustable knuckle mount, adjustable yoke mount, or adjustable slipfitter mount.

Die-cast housing features a powdercoat finish with UV protection to ensure longevity of color. Powdercoat finish is applied directly to aluminum housing and will not crack or peel. Default color is bronze. Custom colors are available. Contact factory for additional color information.

LEDs are reflow soldered to a metal core circuit board, providing greater thermal transfer than standard circuit board materials.

Lens construction is shatter resistant polycarbonate with medium flood optics

Luminaire's construction contains zero glass or mercury

Fasteners are stainless-steel and will not rust or create rust-streaks

Ordering Guide

Example: FLD-G2-9L-50K-BRZ-YK-DM

Product Family	Lumen Output	CCT	Input Voltage	Housing Color	Mounting Option	Dimming Capability
FLD-G2 LED Flood Light Luminaire	1L - 1,833 Lumens	40K - 4000K	Blank - 120-277V	BRZ - Bronze	KM - Knuckle Mount	DM - 0-10V Dimming
	3L - 3,725 Lumens				*Available for 1L - 9L	
	6L - 6,539 Lumens				YK - Yoke Mount	
	9L - 9,175 Lumens	*Available for 9L - 20L				
	11L - 11,984 Lumens	50K - 5000K			SFM - Slipfitter Mount	
	20L - 20,000 Lumens	*Available for 9L - 20L				



Regulatory and Voluntary Qualifications

UL listed to UL1598 and UL8750 for both US and Canada

State of California Title 24 Compliant when installed in accordance with local requirements

DesignLights Consortium® (DLC) Premium qualified product. Not all versions of this product may be DLC qualified. Please check the DLC Qualified Products List at www.designlights.org/QPL to confirm which versions are qualified.

IP65 Rated

Rated for Wet Locations

Contact Jarvis representative for details.

*FLD-G2-11L
Yoke Mount*



Warranty and Lifetime

FLD Series carries a 10-year limited warranty. Contact Jarvis representative for details.

Projected LED lifetime exceeds 50,000 hours under most operating conditions. Lifetime projections are calculated using data including LM-79, LM-80 and TM-21 calculations. Contact Jarvis representative for details.

Installation

FLD-G2 Luminaire can be ordered with 3 different mounting options, knuckle mount, yoke mount, and slipfitter mount.

The knuckle mount arm allows the luminaire to be installed into any 1/2" NPS thread or standard junction box and features 180° adjustability.

The yoke mount allows the luminaire to be installed onto either a wall or flat surface. Wall materials and mounting conditions vary by structure and project – contact factory for suggesting which fasteners are optimal. The yoke mount is adjustable and the luminaire may be adjusted to the exact position required for each specific application.

The slipfitter mount allows the luminaire to be installed onto round pole-top, tenon or pipe-stub up to 2.3" in diameter and features 180° adjustability.

All models ship with at least 10" of wire protruding from the mounting arm to allow for ease of wiring.

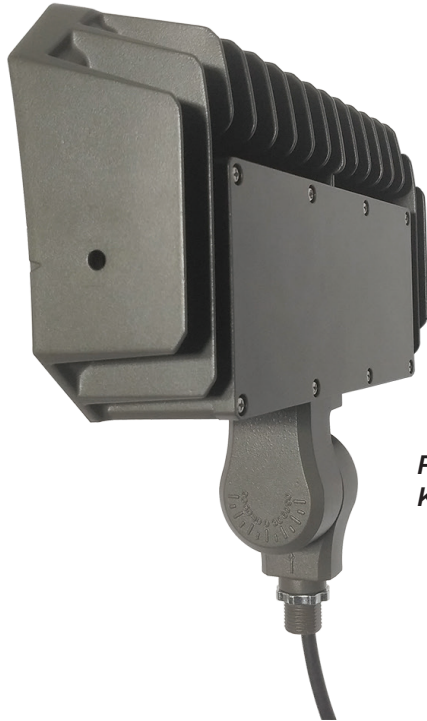
Accessories

The FLD-G2 series is compatible with a variety of photocells and motion sensor systems. Contact a Jarvis representative for more information.



Photometrics

Photometric information, including LM-79 reports and .IES files are available for most models at www.jarvislighting.com. Site photometrics and lighting layouts are available. Contact a Jarvis representative.



*FLD-G2-9L
Knuckle Mount*

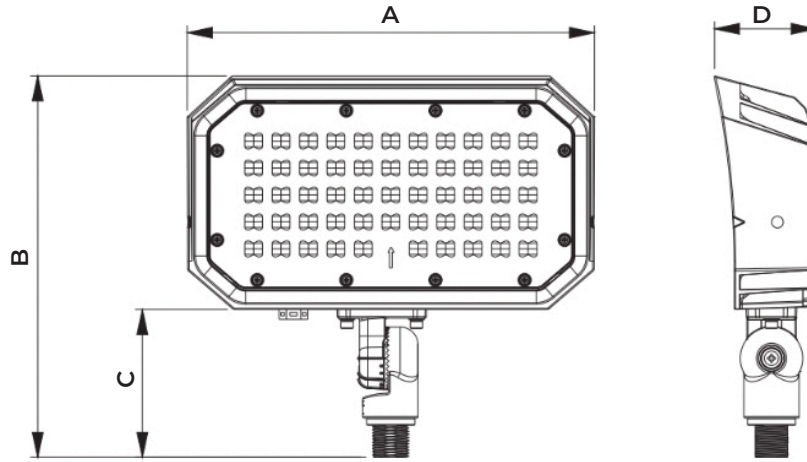


*FLD-G2-1L
Knuckle Mount*

Product Weight:

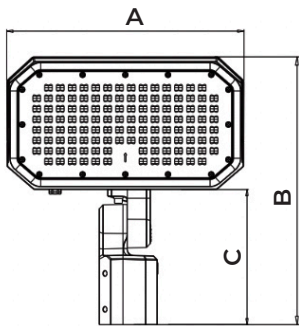
Model	Net Weight
FLD-G2-1L (Knuckle Mount)	1.1 lbs
FLD-G2-3L (Knuckle Mount)	1.6 lbs
FLD-G2-6L (Knuckle Mount)	2.8 lbs
FLD-G2-9L (Knuckle Mount)	5.9 lbs
FLD-G2-9L (Yoke Mount)	6.2 lbs
FLD-G2-9L (Slipfitter Mount)	7.0 lbs
FLD-G2-11L (Yoke Mount)	6.8 lbs
FLD-G2-11L (Slipfitter Mount)	7.7 lbs
FLD-G2-20L (Yoke Mount)	9.5 lbs
FLD-G2-20L (Slipfitter Mount)	10.5 lbs

Dimensions:

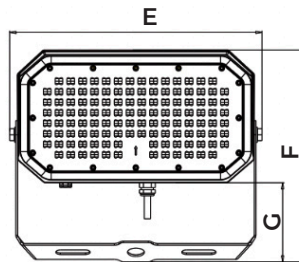


(Knuckle)

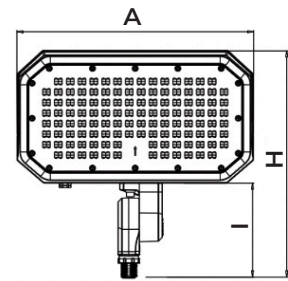
Catalog Number	A	B	C	D
FLD-G2-1L	5.1"	6.1"	3.3"	1.8"
FLD-G2-3L	7.0"	7.2"	3.3"	2.0"
FLD-G2-6L	9.0"	8.4"	2.2"	2.3"



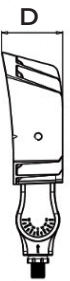
(Slip-fitter)



(Yoke)



(Knuckle)



Catalog Number	A	B	C	D	E	F	G	H	I
FLD-G2-9L/11L	12.2"	13.7"	6.9"	3.2"	13.4"	10.9"	4.1"	11.7"	4.8"
FLD-G2-20L	14.4"	14.5"	7.1"	3.3"	15.2"	11.5"	4.1"	12.4"	5.0"



BRIGHT DONE RIGHT™

